

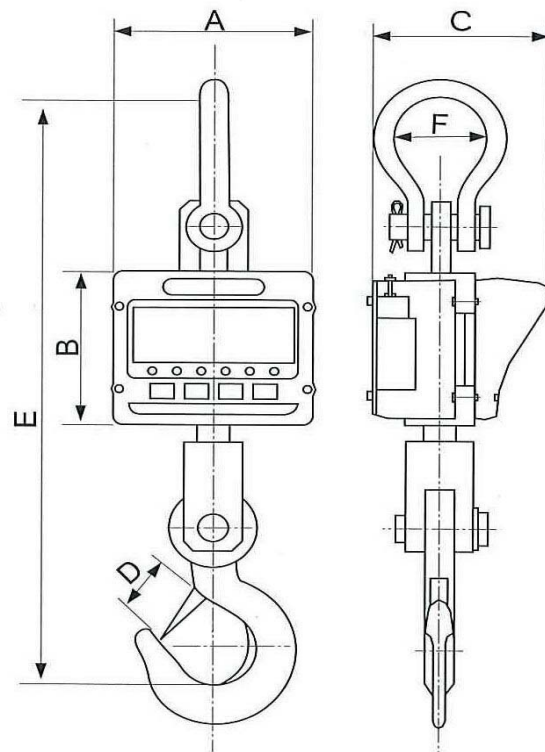
# CONTENTS

1. SPECIFICATIONS (mm)-----	2
2. CAUTIONS-----	3
3. INSTALLATION INSTRUCTION-----	3
4. PANEL LAYOUT-----	4
5. BUTTON FUNCTIONS-----	5
6. OPERATING INSTRUCTION-----	5
7. DAILY CARE AND MAINTENANCE---	6
8. POWER SUPPLY-----	7
9. OPTION ACCESSORIES-----	7

## 1. SPECIFICATIONS (mm)

MODEL	A	B	C	D	E	F	HOOK	N.W.
JLG-600	250	160	190	35	545	87	3T	12.0KG
JLG-1T	250	160	190	35	545	87	3T	12.0KG
JLG-2T	250	160	190	40	545	87	4.5T	12.3KG
JLG-3T	250	160	190	40	545	87	4.5T	12.3KG
JLG-5T	250	160	190	50	700	89	7T	21.6KG
JLG-7.5T	250	160	190	62	700	89	8T	21.5KG
JLG-10T	250	160	240	60	790	100	11T	35.0KG
JLG-15T	250	160	250	70	1000	137	17T	45.0KG
JLG-20T	260	195	110	100	1150	120	25T	78.0KG
JLG-25T	260	195	110	100	1150	120	25T	78.0KG
JLG-30T	260	210	120	130	1300	150	35T	119KG
JLG-35T	260	210	120	130	1300	150	35T	119KG

CAPACITY	DIVISION
600 KG	0.2 KG
1000 KG	0.5 KG
2000 KG	1 KG
3000 KG	1 KG
5000 KG	2 KG
7500 KG	5 KG
10000 KG	5 KG
15000 KG	10 KG
20000 KG	10 KG
25000 KG	10 KG
30000 KG	10 KG
35000 KG	10 KG



To comply with the law of certain countries, the pound unit may be disabled.

Specifications and functions subject to change without prior notice.

## 2. CAUTIONS

1. Never overload this crane scale.
2. Never perform overhead weighing.
3. Never perform weighing in an environment where strong wind may cause subject matter falls out from the hook.
4. Never attempt to open this scale, especially during weighing.
5. Remove all loads from hook when not in used.
6. Do not remove the wire rope stopper. For safety reasons, always apply it.
7. Before weighing, check and make sure that all hanging/load- receiving elements/devices are in good conditions.
8. For safety reasons, always lift subject matter vertically.

## 3. INSTALLATION INSTRUCTION

- 3.1 **UNPACK** this scale very carefully. Check and make sure that the following items are included.
  - a. This operation manual
  - b. JLG series crane scale X 1
  - c. AC adaptor X 1
  - d. Wireless remote control X 1

Contact your dealer if any items missed.

### 3.2 SECURE THE SCALE

- a. This unit must be hanged via a strong media, e.g. a wire rope or a metal hook, to a firm support that can withstands at least 5 times of scale capacity.
- b. Make sure that the crane scale is hanged vertically.

### 3.3 POWER THE SCALE

- a. This scale is powered by the built-in rechargeable battery and/or by an AC adapter included.
- b. Check and make sure that the voltage of the AC adapter supplied matches with the voltage of the main output.
- c. Insert the output plug of AC adapter firmly into the DC jack of scale. The DC input jack is located underneath the back of the scale.
- d. Before first time use, charge the built-in rechargeable battery for at least 8 hours or until the charging indicator turns green.
- e. For safety reasons, do not share the same mains outlet with other apparatus.

## 4. PANEL LAYOUT



1. WEIGHT DISPLAY: DISPLAY WEIGHT OR MESSAGES.
2. POWER LAMP : POWER ON MODE
3. LOW BATTERY LAMP: INDICATES THAT BATTERY IS LOW AND MUST BE CHARGED SOON.
4. HOLD LAMP: INDICATES THAT THE HOLD FEATURE HAS BEEN ACTIVATED.
5. TARE LAMP: INDICATES THAT SCALE IS CURRENTLY USING A TARE.
6. ZERO LAMP: INDICATES THAT SCALE IS STABLE AND AT ZERO.

## 5. BUTTON FUNCTIONS



**ON/OFF key:** Turn the scale on/off, all segment and indicator LED are illuminated for one second, during display test, all internal operation are checked and, any non-conformance Error message will be displayed.

**HOLD key :** Press HOLD to freeze the weight display on the scale and the HOLD light will turn on. Press HOLD again to unfreeze the weight display and the HOLD light will turn off.

**TARE Key :** press TARE to tare or un-tare weight on the scale. If TARE is pressed and tare light is on, the scale displays the net weight. On the other hand, if TARE is pressed and tare light is off, the scale displays the gross weight.

**ZERO key :** Re-zero key, use this key to return zero reading, the scale is in zero point.

## 6. OPERATING INSTRUCTION

### 6.1 POWER ON/OFF THE SCALE

■ Press ON key located in front of the scale.

The scale will perform self test on the WEIGHT DISPLAY and will be ready for weighing when zero lamp is on.

(while the power is off, the ON/OFF key on the remote control wouldn't operate)

■ Use the ON/OFF on the remote controller when the power is on. Hook should be empty.

### 6.2 ZERO FUNCTION

■ Used to correct drifted zero value when the scale is unloaded and motion is not detected.

■ The function works when ZERO key is pressed, and the ZERO LAMP is on.

Example: If the weight has drifted, you can press ZERO key to bring back to the zero. 10kg on weight display will go to 0kg when you press the ZERO key.

### 6.3 TARE FUNCTION

■ Tare is the weight of container being used for a commodity.

The TARE key subtracts the weight of the container.

■ After handing a weight to be tared on the HOOK, press the TARE key. Then the scale will memorize the weight of the tare and will display zero value "0"kg. The TARE lamp will be on.

■ If you weigh items, you will see the net weight.

■ To release this function, remove everything from the hook and press the TARE key. Then the TARE LAMP will turn off and this function is terminated.

● NOTE: The weight including TARE weight cannot exceed the maximum capacity

#### 6.4 HOLD FUNCTION

This function is performed whenever you weight an item.

■ Press HOLD to hold the weight being displayed. For accuracy considerations, only press HOLD when weight is stable.

■ After HOLD is pressed, weight value will be fixed.

■ To release weight value being held, press HOLD again then the scale changes from Hold mode to Normal mode.

#### 6.5 RECHARGING THE SCALE

When low battery signal appears, apply the AC adapter to recharge the battery. Fail in doing may cause irrecoverable damage to the rechargeable battery.

■ Check the voltage of battery charger before use.

■ Connection scale with adaptor

■ Turn ON the switch on the battery charger, charging will start with RED lamp (CHARGE) turn on.

■ When the charging is completed GREEN lamp (FULL) turns on.

■ Estimated time for charging is 8 hours.

(Charging time can be vary according to the battery condition)

#### 6.6 REMOTE CONTROL

■ Pressing the corresponding key on the remote control can attain same control results.

■ Do not knock or tap the remote control

■ Replace the battery once the remote control is not functional for distance 6 meters (and below) away from the scale.

■ Clean the display windows of the scale as this has effect on the remote control

## 7. DAILY CARE AND MAINTENANCE

a. Avoid exposing scale to direct sunlight or excess moisture.

b. Do not submerge scale in water or drop scale.

c. Remove all loads from hook before transportation

d. Clean the sale with a soft and damp cloth, if necessary with mild detergent.

e. Do not use any harsh, abrasive materials, violate solvent thinner or alcohol for cleaning.

f. Verify the accuracy of scale periodically. Re-calibrate the scale when needed.

g. Store scale in a dry and cool place.

## 8. POWER SUPPLY

### ALTERNATIVE POWER SUPPLIES

- 12V/1A via main adapter
- DC 6V/7AH internal rechargeable battery

## 9. OPTION ACCESSORIES

- REMOTE CONTROL (included as standard equipment)
- HEAT RESISTANT BOARD (OPTION)
- AC-01N LCD REMOTE CONTROL (OPTION)  
AC-01N with built-in RS-232 interface, RTC function, printed via SH-24 printer.
- SH-24 Dot matrix compact printer (OPTION)
- AC-02N WIRELESS EXTERNAL LED DISPLAY. (OPTION)